

SINGER
5705/5710

INDEX

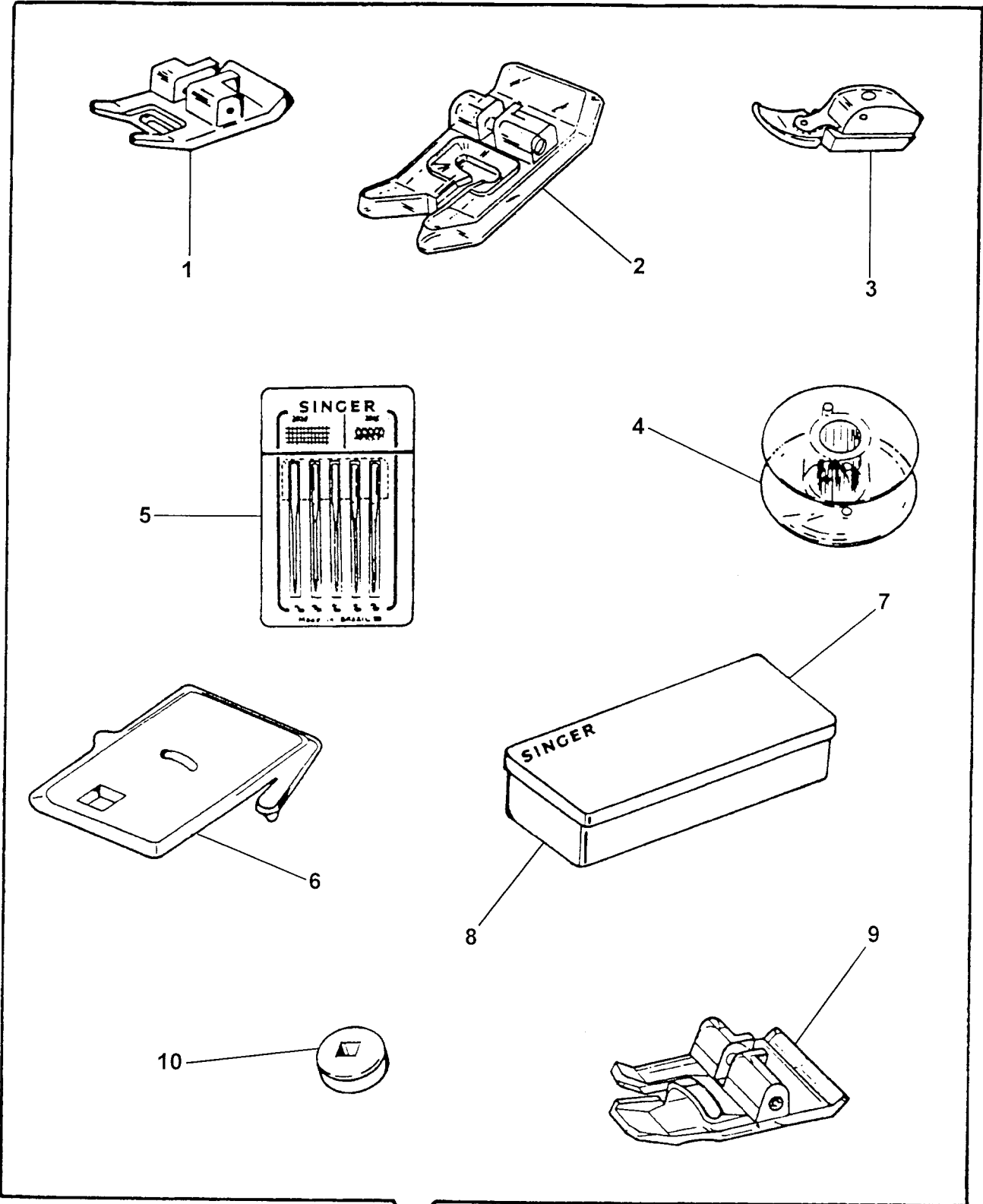
PAGE	SUB-ASSEMBLY
01 - 02	ATTACHMENT SET
03 - 04	ARM, BED, THROAT PLATE & BED SLIDE
05 - 06	ARM TOP COVER
07 - 08	COVERS AND ADD-ONS
09 - 12	NEEDLE BAR, PRESSER BAR & THREAD TAKE-UP
13 - 14	ARM SHAFT DRIVE
15 - 16	HAND WHEEL
17 - 18	TENSION MECHANISM
19 - 20	HOOK SYSTEM
21 - 22	BIGHT AMPLITUDE
23 - 24	NEEDLE POSITION
25 - 26	DISC SELECTOR ASSEMBLY & CAM STACK
27 - 28	BUTTONHOLER & FEED REGULATOR CAM
29 - 30	CAM CONTROLLED FEED
31 - 32	FEED SYSTEM
33 - 34	OPTIONS
35 - 36	ELECTRICAL EQUIPMENT

**PART LIST
ATTACHMENT SET**

REF. PART No.	DESCRIPTION	5 7 0 5	5 7 1 0
01 446492-451	SPECIAL PURPOSE PRESSER FOOT PLATE (SNAP-ON)	X	X
02 161927	PRESSER FOOT PLATE (SNAP-ON) FRO SEWING BUTTONHOLES	X	X
03 507836	PRESSER FOOT PLATE (SNAP-ON) COMPLETE FOR CORDING & SLIDE FASTENERS	X	X
04 172336	BOBBIN (PLASTIC)	X	X
05 353364	NEEDLE PACK (N2020 SIZE 11/14/16 & N2045 SIZE 11/14)	X	X
06 313117	FEED COVER PLATE (PLASTIC)	X	X
07 446149-458	ATTACHMENT BOX COVER (PLASTIC)	X	X
08 446148-456	ATTACHMENT BOX BASE (PLASTIC)	X	X
09 356630	BLIND STITCH GUIDE PRESSER FOOT	X	X
10 507664-467	ARM TOP COVER SPOOL PIN THREAD LEAD-OFF SMALL (PLASTIC)	X	X
11 446496-003	ATTACHMENT SET COMPLETE	X	X

From the library of: Diamond Needle Corp

ATTACHMENT SET



REV.: 01
DATA: DEC/04/97

From the library of: Diamond Needle Corp

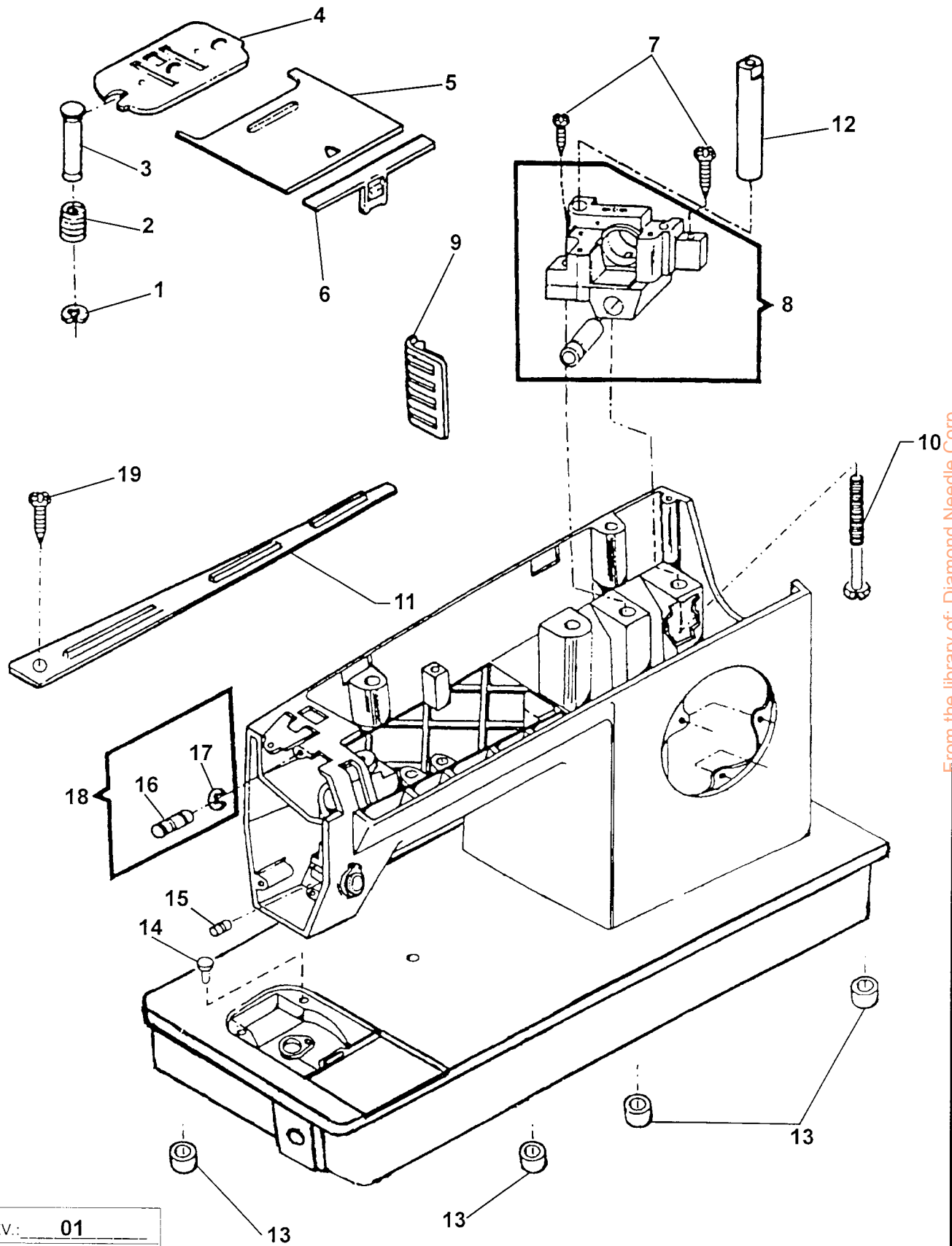
PART LIST
ARM, BED, THROAT PLATE & BED SLIDE

REF. PART No.	DESCRIPTION	5 7 0 5	5 7 1 0
01 179926	THROAT PLATE CLAMP SPRING RETAINING RING	X	X
02 357611	THROAT PLATE CLAMP SPRING	X	X
03 357445	THROAT PLATE CLAMP	X	X
04 356713	THROAT PLATE FOR ZIG-ZAG SEWING	X	X
05 179982	BED SLIDE PLATE	X	X
06 446482	BED SLIDE SPRING	X	X
07 113455-006	ARM SHAFT (REAR) HOUSING MOUNTING SCREW	X	X
08 357017-002	ARM SHAFT (REAR) HOUSING ASSEMBLY	X	X
09 353360-45X	ARM INSERT (MOTOR VENT GRILL)	X	X
10 357020-451	ARM SHAFT (REAR) HOUSING MOUNTING SCREW	X	X
11 356111-452	FILLER PLATE	X	-
11 356112-452	FILLER PLATE	-	X
12 357019	ARM TOP COVER MOUNTING STUD	X	X
13 353559-451	UNDER BED COVER CUSHION	X	X
14 353624	THROAT PLATE POSITION PIN (PLASTIC)	X	X
15 357438-00	TENSION RELEASING LEVER HINGE PIN	X	X
16 446375	THREAD TAKE-UP LEVER LINK HINGE STUD	X	X
17 353215	THREAD TAKE-UP LEVER HINGE STUD STUD RETAINING RING	X	X
18 353623	THREAD TAKE-UP LEVER HINGE STUD WITH RING	X	X
19 113455-001	FILLER PLATE SET SCREW	X	X

From the library of: Diamond Needle Corp

<u>REF.</u>	<u>NEW P/N</u>	<u>IN PLACE OF</u>	<u>IMPLEMENTATION DATE</u>
02	357611	353494	04/14/97

ARM, BED, THROAT PLATE & BED SLIDE



REV.: 01
DATE: DEC/04/97

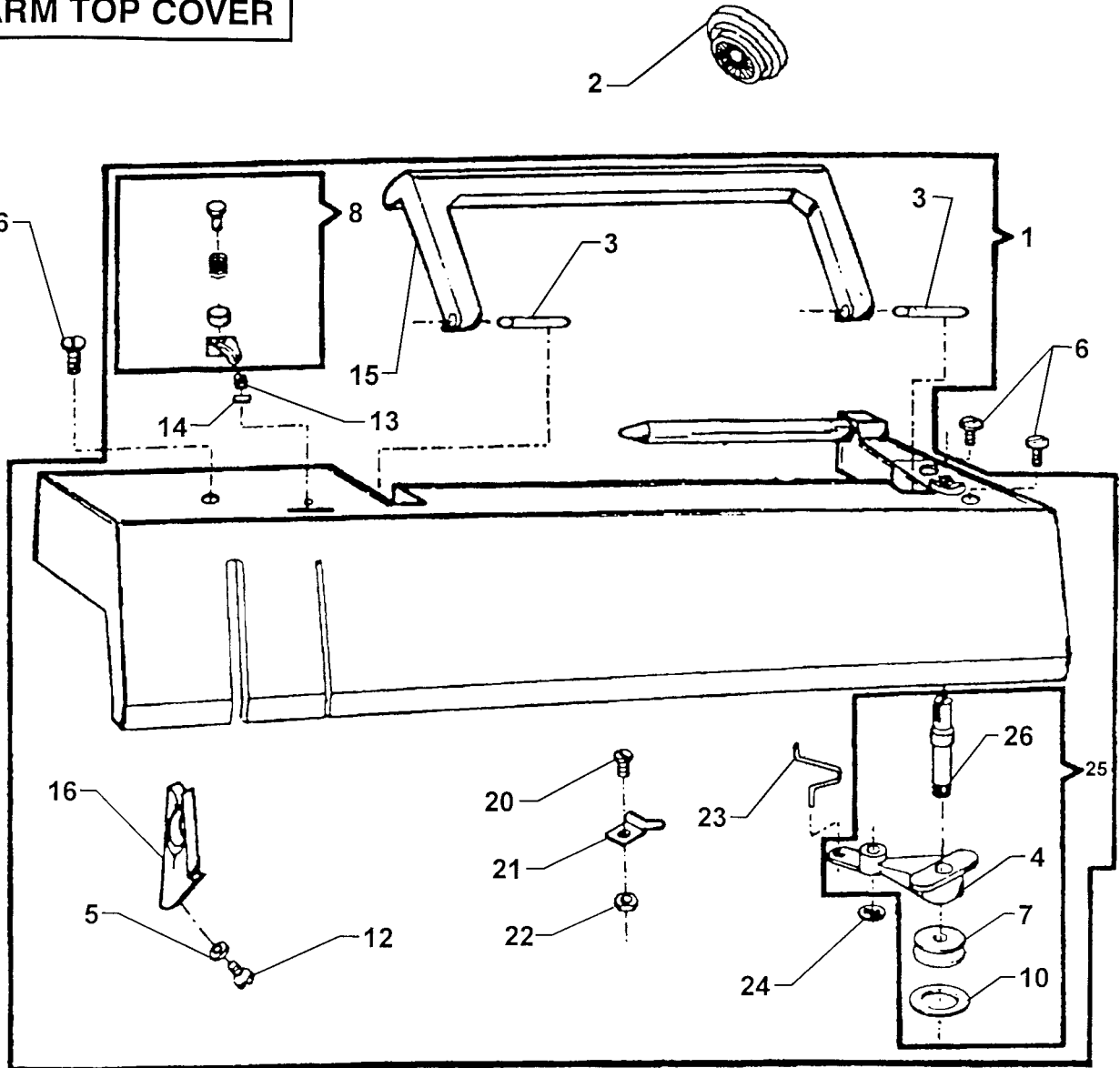
From the library of: Diamond Needle Corp

**PART LIST
ARM TOP COVER**

REF. PART No.	DESCRIPTION	5 7 0 5	5 7 1 0
01	356811-077	ARM TOP COVER COMPLETE	X -
01	356811-094	ARM TOP COVER COMPLETE	- X
02	179967-461	ARM TOP COVER SPOOL PIN THREAD LEAD-OFF	X X
03	357325-900	ARM TOP COVER HANDLE HINGE PIN	X X
04	357082-452	BOBBIN WINDER FRAME	X X
05	446138	ARM TOP COVER THREAD GUIDE SCREW WASHER	X X
06	354895-453	ARM TOP COVER SCREWS	X X
07	44440-001	BOBBIN WINDER FRICTION RING PULLEY	X X
08	356047	BOBBIN WINDER TENSION COMPLETE	X X
09	354826-451	ARM TOP COVER MOUNTING BRACKET SCREW	X X
10	15287-701	BOBBIN WINDER FRICTION RING	X X
11	531765	ARM TOP COVER BRACKET (LEFT)	X X
12	356116-451	ARM TOP COVER THREAD GUIDE SCREW	X X
13	141936-833	BOBBIN WINDER REGULATING SCREW	X X
14	44794	BOBBIN WINDER REGULATING SCREW CLIP	X X
15	357338-900	ARM TOP COVER HANDLE	X X
16	357084-451	ARM TOP COVER THREAD GUIDE	X X
17	113455-001	ARM TOP COVER MOUNTING BRACKET SCREW	X X
18	356178	ARM TOP COVER MOUNTING BRACKET (RIGHT)	X X
19	356173-453	ARM TOP COVER SHROUDER	X X
20	141920-455	BOBBIN WINDER STOP SCREW	X X
21	445924	BOBBIN WINDER STOP	X X
22	53640-819	BOBBIN WINDER STOP SCREW NUT	X X
23	531766	BOBBIN WINDER HINGE STUD SPRING	X X
24	445486	BOBBIN WINDER RETAINING RING	X X
25	531767-452	BOBBIN WINDER ASSEMBLY	X X
26	357081-452	BOBBIN WINDER SPINDLE COMPLETE	X X

From the library of: Diamond Needle Corp

ARM TOP COVER



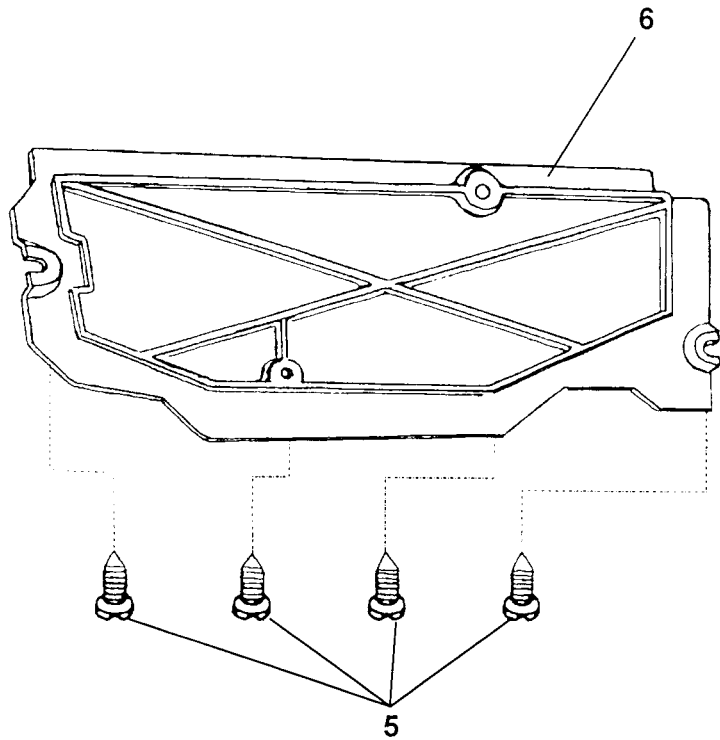
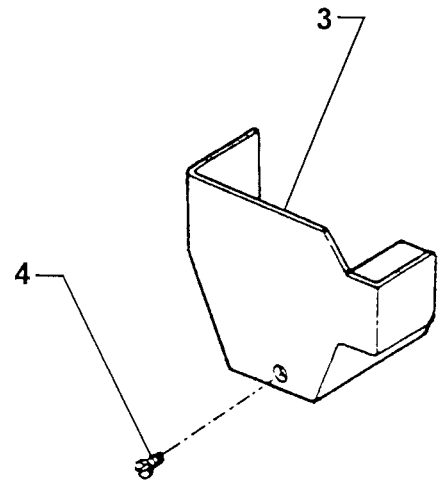
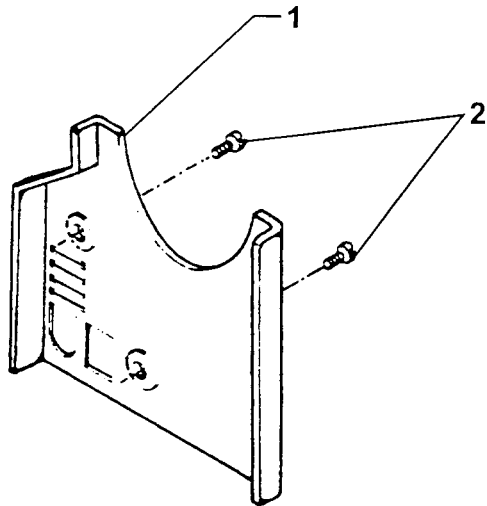
REV.: 01
DATA: DEC/04/97

**PART LIST
COVERS AND ADD-ONS**

REF. PART No.	DESCRIPTION	5 7 0 5	5 7 1 0
01 446450-198	ARM END COVER (UL/CSA APPROVAL)	X	-
01 446450-199	ARM END COVER (CE APPROVAL)	-	X
02 354637-453	ARM END COVER SCREWS	X	X
03 356235-452	FACE PLATE W/ GRILLE	X	X
03 356051-454	FACE PLATE W/o GRILLE	X	X
04 354133-453	FACE PLATE SCREW	X	X
05 113455-001	UNDER BED COVER SCREW	X	X
06 357356	UNDER BED COVER (PLASTIC)	X	X

From the library of: Diamond Needle Corp

COVERS AND ADD-ONS



REV.: 01
DATA: DEC/04/97

PART LIST
NEEDLE BAR, PRESSER BAR & THREAD TAKE-UP

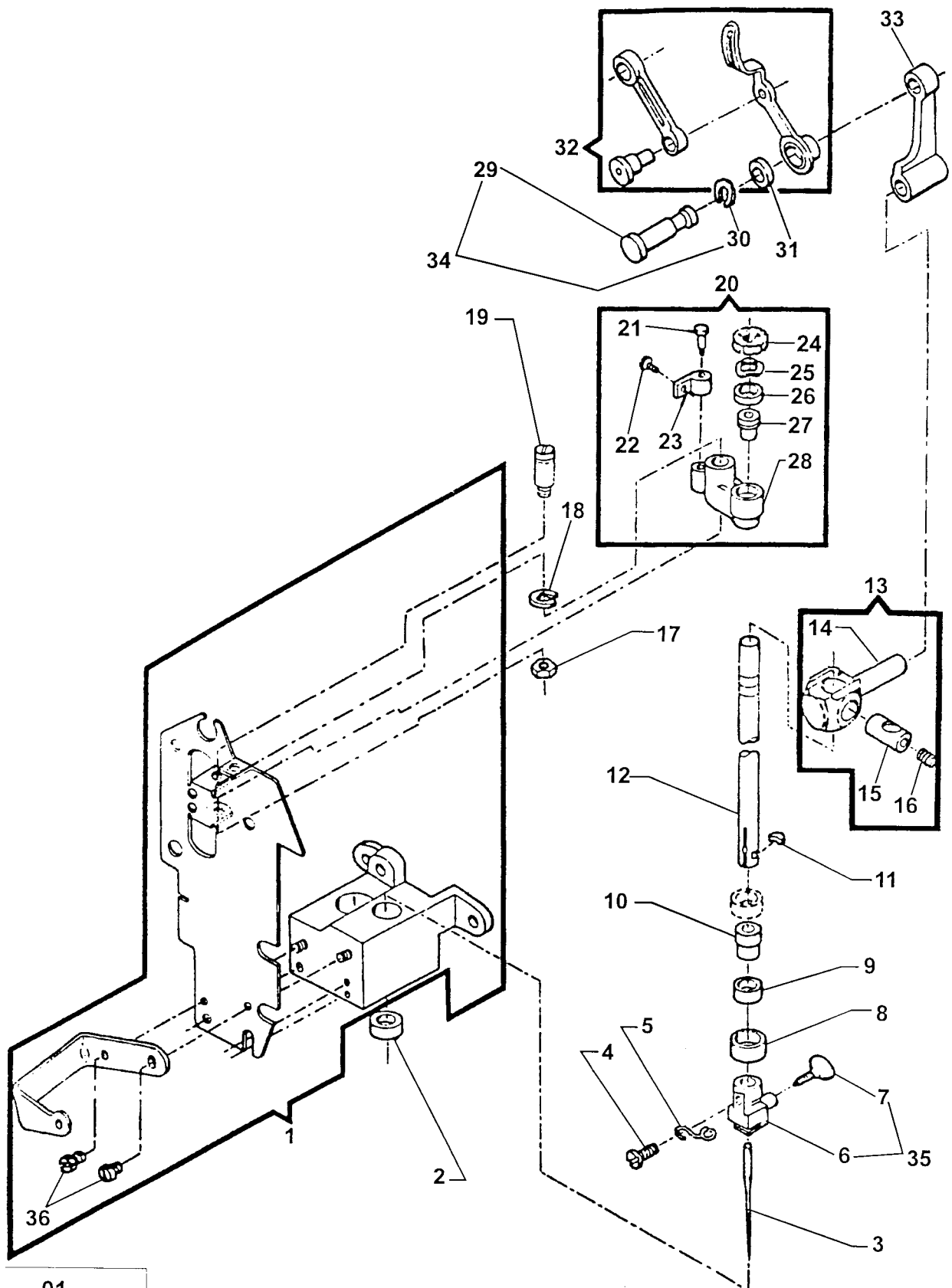
5 5
7 7
0 1
5 0

REF. PART No.	DESCRIPTION		
01	356599	NEEDLE BAR, PRESSER BAR & VIBRATING BRACKET HOUSING ASSEMBLY	
02	44450	NEEDLE BAR BUSHING (LOWER) SOCKET (UPPER)	X X
03	204514-100	NEEDLE (SIZE NBR 14)	X X
04	141920-455	NEEDLE CLAMP BODY, THREAD GUIDE & NEEDLE STOP SCREW	X X
05	357421	NEEDLE CLAMP BODY, THREAD GUIDE	X X
06	357429	NEEDLE CLAMP BODY	X X
07	355248-451	NEEDLE THUMB SCREW	X X
08	446361-001	NEEDLE BAR BALL BUSHING (LOWER) ADJUSTING COLLAR	X X
09	507379	NEEDLE BAR BALL BUSHING (LOWER) SOCKET	X X
10	446355-001	NEEDLE BAR BUSHING (LOWER)	X X
11	37943	NEEDLE BAR GIB	X X
12	445793	NEEDLE BAR	X X
13	353549-940	NEEDLE BAR CONNECTING STUD WITH HINGE PIN	X X
14	353549	NEEDLE BAR CONNECTING STUD	X X
15	37931	NEEDLE BAR CONNECTING STUD HINGE PIN	X X
16	141916-833	NEEDLE BAR CLAMPING SCREW	X X
17	357093-451	NEEDLE BAR VIBRATING BRACKET HINGE PIN NUT	X X
18	445721	NEEDLE BAR VIBRATING BRACKET HINGE PIN RETAINING RING	X X
19	446359	NEEDLE BAR VIBRATING BRACKET HINGE PIN	X X
20	353520-001	NEEDLE BAR VIBRATING BRACKET COMPLETE	X X
21	37935	NEEDLE BAR DRIVING ARM HINGE BRACKET HINGE PIN	X X
22	354826-451	NEEDLE BAR DRIVING ARM HINGE BRACKET SCREW	X X
23	446190	NEEDLE BAR DRIVING ARM HINGE BRACKET	X X
24	353522	NEEDLE BAR BALL BUSHING (UPPER) RETAINING RING	X X
25	353424	NEEDLE BAR BALL BUSHING (UPPER) WAVED WASHER	X X
26	507379	NEEDLE BAR BALL BUSHING (UPPER) SOCKET	X X
27	446355-001	NEEDLE BAR BALL BUSHING (UPPER)	X X
28	353521	NEEDLE BAR VIBRATING BRACKET (PLASTIC)	X X
29	446260	THREAD TAKE-UP STUD	X X
30	445486	THREAD TAKE-UP STUD RETAINING RING	X X
31	543531	THREAD TAKE-UP STUD THRUST WASHER	X X
32	445672	THREAD TAKE-UP LEVER COMPLETE	X X
33	446357	NEEDLE BAR CONNECTING LINK	X X
34	446261	THREAD TAKE-UP STUD WITH RETAINING RING	X X
35	357430	NEEDLE CLAMP BODY WITH SCREW	X X
36	113480-451	NEEDLE BAR, PRESSER BAR & VIBRATING BRACKET HOUSING PLATE MOUNTING SCREW	X X

From the library of: Diamond Needle Corp

<u>REF.</u>	<u>NEW P/N</u>	<u>IN PLACE OF</u>	<u>IMPLEMENTATION DATE</u>
04	141920-455	141920-453	10/21/97

NEEDLE BAR, PRESSER BAR & THREAD TAKE-UP



REV.: 01
 DATA: DEC/04/97

From the library of: Diawen's Needle Corp

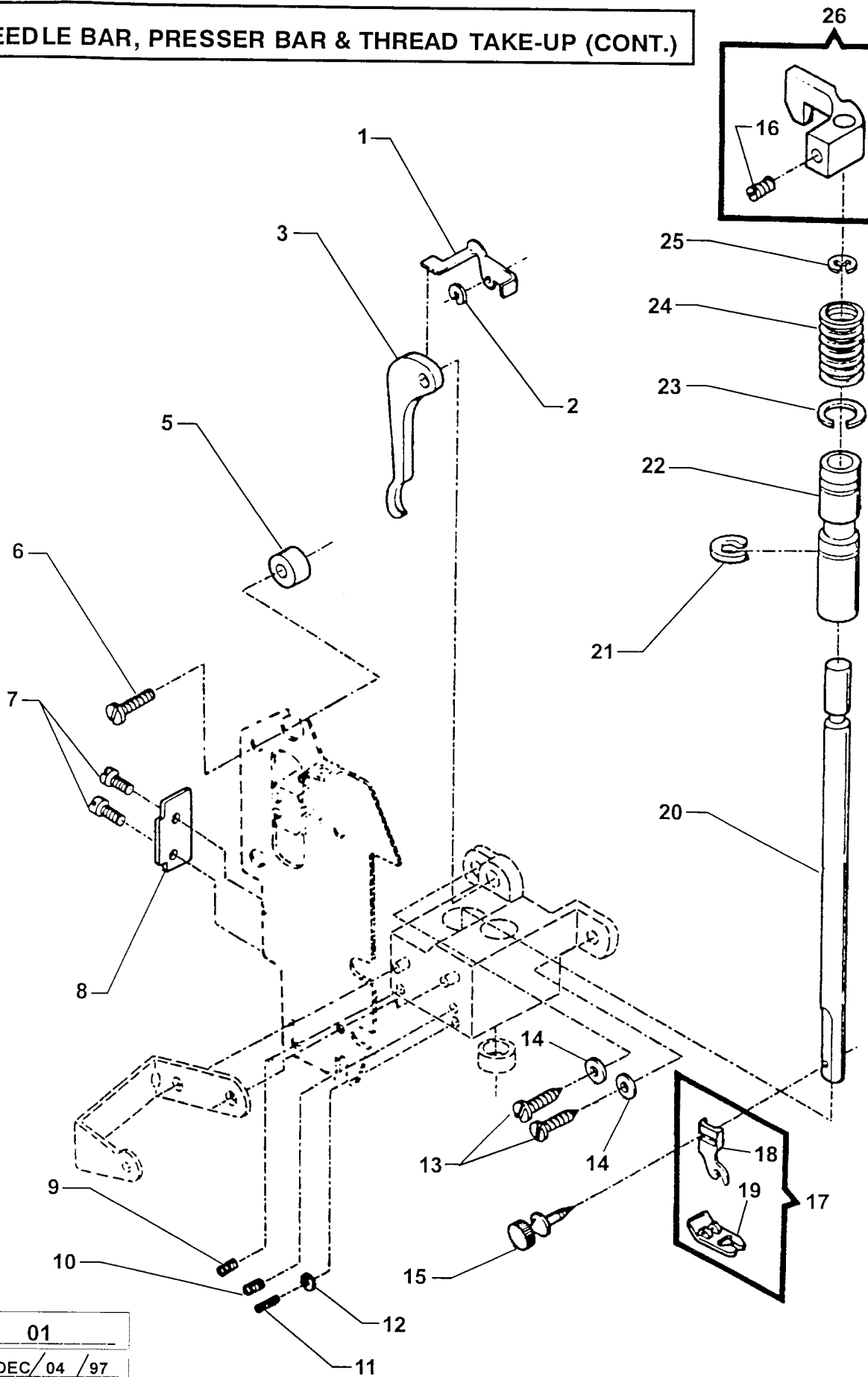
PART LIST
NEEDLE BAR, PRESSER BAR & THREAD TAKE-UP (CONT.)

REF. PART No.	DESCRIPTION	5 7 0 5	5 7 1 0
01	445925 TENSION RELEASING LEVER	X	X
02	445486 TENSION RELEASING LEVER RETAINING RING	X	X
03	356170-451 PRESSER BAR LIFTER (PLASTIC)	X	X
05	531627 NEEDLE BAR VIBRATING BRACKET MOUNTING BUSHING	X	X
06	113455-009 NEEDLE BAR VIBRATING BRACKET MOUNTING BUSHING SCREW	X	X
07	141913-451 PRESSER BAR LIFTER POSITIONING PLATE SCREW	X	X
08	446353 PRESSER BAR GUIDE BRACKET POSITIONING PLATE	X	X
09	354906-451 PRESSER BAR BUSHING SCREW	X	X
10	141938-833 NEEDLE BAR BALL BUSHING SCREW	X	X
11	354993-451 NEEDLE BAR STOP SCREW	X	X
12	54591-451 NEEDLE BAR STOP SCREW NUT	X	X
13	113434-451 NEEDLE BAR VIBRATING BRACKET SET SCREW	X	X
14	353375-451 NEEDLE BAR VIBRATING BRACKET SET SCREW NUT	X	X
15	354135-452 PRESSER BAR THUMB SCREW	X	X
16	141925-833 PRESSER BAR GUIDE SCREW	X	X
17	446372 PRESSER FOOT WITH SHANK FOR ZIG-ZAG SEWING	X	X
18	155964 PRESSER BAR SHANK	X	X
19	446371 PRESSER FOOT FOR ZIG-ZAG SEWING	X	X
20	314638 PRESSER BAR	X	X
21	357604 PRESSER BAR BUSHING RETAINING RING	X	X
22	445947-001 PRESSER BAR BUSHING	X	X
23	357604 PRESSER BAR SPRING RETAINING RING	X	X
24	353214 PRESSER BAR SPRING	X	X
25	353215 RETAINING RING	X	X
26	353212 PRESSER BAR GUIDE COMPLETE	X	X

<u>REF.</u>	<u>NEW P/N</u>	<u>IN PLACE OF</u>	<u>IMPLEMENTATION DATE</u>
04	-----	446354-451	03/10/97
21	357604	353252	03/10/97
24	357604	353252	03/10/97

From the library of: Diamond Needle Corp

NEEDLE BAR, PRESSER BAR & THREAD TAKE-UP (CONT.)



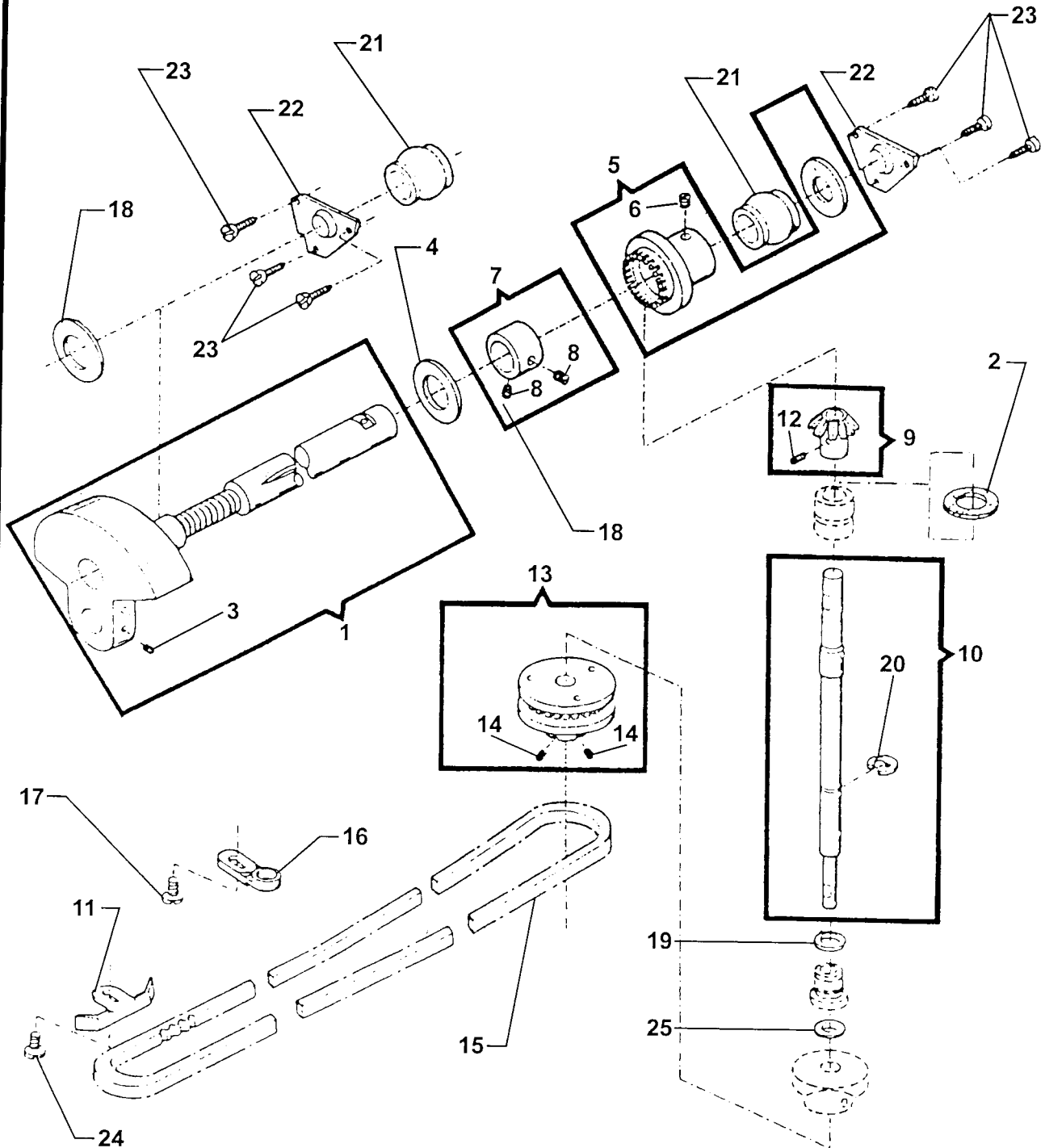
REV.: 01
 DATA: DEC / 04 / 97

**PART LIST
ARM SHAFT DRIVE**

REF. PART No.	DESCRIPTION	5 7 0 5	5 7 1 0
01	531684	ARM SHAFT (HORIZONTAL) COMPLETE	X X
02	356819	ARM SHAFT (UPRIGHT) FELT WASHER	X X
03	354105-833	NEEDLE BAR CRANK POSITION SET SCREW	X X
04	353413	ARM SHAFT (HORIZONTAL) BEVEL GEAR & FEED LIFTING (ECCENTRIC WASHER (PLASTIC)	X X
05	353272	ARM SHAFT (HORIZONTAL) BEVEL GEAR (PLASTIC)	X X
06	354813-451	ARM SHAFT (HORIZONTAL) BEVEL GEAR & FEED LIFTING (ECCENTRIC) SET SCREW	X X
07	353580	ARM SHAFT (HORIZONTAL) RETAINING COLLAR COMPLETE	X X
08	113500-451	ARM SHAFT (HORIZONTAL) RETAINING COLLAR SET SCREW	X X
09	353273-002	ARM SHADT BEVEL GEAR (UPRIGHT) COMPLETE	X X
10	179952-002	ARM SHAFT (UPRIGHT)	X X
11	446376	BELT RETAINER (LEFT)	X X
12	354105-833	ARM SHAFT (UPRIGHT) BEVEL GEAR (PLASTIC) SET SCREW	X X
13	353438-001	ARM SHAFT (UPRIGHT) BELT DRIVE PULLEY COMPLETE	X X
14	354906-451	ARM SHAFT (UPRIGHT) BELT DRIVE PULLEY SET SCREW	X X
15	446237	BELT (ROTATING HOOK DRIVE)	X X
16	531630	ROTATING HOOK DRIVE BELT TENSION ADJUSTEDER (PLASTIC)	X X
17	113453-003	ROTATING HOOK DRIVE BELT TENSION SCREW	X X
18	319764	NEEDLE BAR CRANK WASHER (PLASTIC)	X X
19	353394	ARM SHAFT (UPRIGHT) RETAINING RING WASHER	X X
20	353215	ARM SHAFT (UPRIGHT) RETAINING RING	X X
21	446384	ARM SHAFT BUSHING (LEFT & RIGHT)	X X
22	446385	ARM SHAFT BUSHING RETAINING PLATE (LEFT & RIGHT)	X X
23	113455-001	ARM SHAFT BUSHING RETAINING BRACKET SCREW	X X
24	113455-001	BELT RETAINER (LEFT) SCREW	X X
25	319826	ARM SHAFT (UPRIGHT) BELT DRIVE PULLEY WASHER	X X

From the library of: Diamond Needle Corp

ARM SHAFT DRIVE



REV.: 01
DATE: DEC/04/97

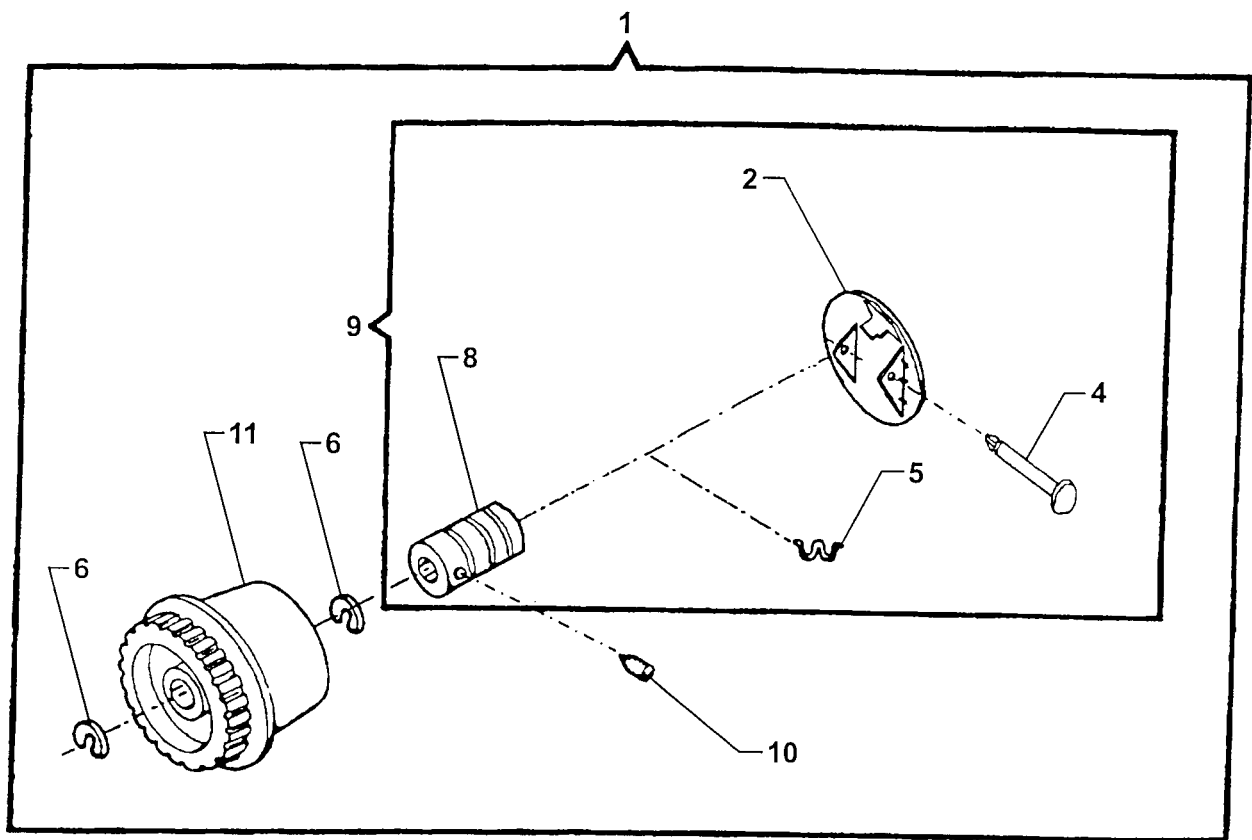
**PART LIST
HAND WHEEL**

**5 5
7 7
0 1
5 0**

REF. PART No.	DESCRIPTION		
01 357009-451	HAND WHEEL COMPLETE	X	X
02 357367-901	HAND WHEEL DISENGAGING CLUTCH ENGAGING PLATE COVER	X	X
04 357364	HAND WHEEL DISENGAGING CLUTCH ENGAGING PLATE HINGE PIN	X	X
05 357365	HAND WHEEL DISENGAGING CLUTCH ACTUATING SPRING	X	X
06 446387	HAND WHEEL RETAINING RING	X	X
08 3573590	HAND WHEEL DISENGAGING CLUTCH BUSHING	X	X
09 357368-452	HAND WHEEL DISENGAGING CLUTCH BUSHING COMPLETE	X	X
10 354813-451	HAND WHEEL DISENGAGING CLUTCH BUSHING SCREW	X	X
11 356958-451	HAND WHEEL	X	X

From the library of: Diamond Needle Corp

HAND WHEEL



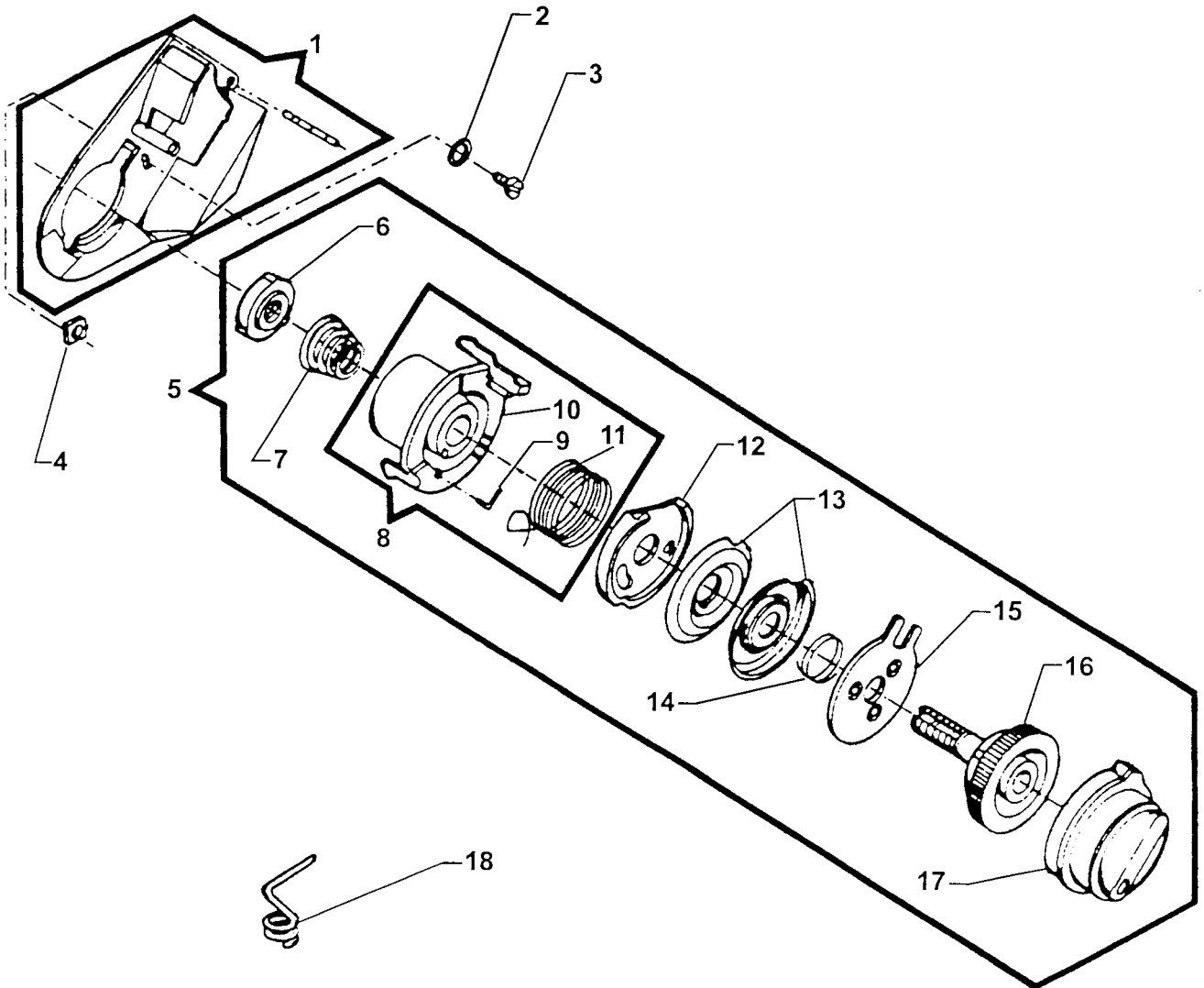
REV.: 01
DATE: DEC/04/97

**PART LIST
TENSION MECHANISM**

REF. PART No.	DESCRIPTION	5 7 0 5	5 7 1 0
01	356040-452 TENSION MECHANISM SHROUDER ASSEMBLY	X	X
02	356443 TENSION MECHANISM SHROUDER SECREW WASHER	X	X
03	141808-457 TENSION THREAD GUIDE SCREW	X	X
04	514698-451 TENSION THREAD GUIDE SCREW NUT	X	X
05	356088-457 TENSION MECHANISM SUPPORT ASSEMBLY	X	X
06	356095 TENSION STUD NUT	X	X
07	356096 TENSION SPRING	X	X
08	356245 TENSION MECHANISM SUPPORT ASSEMBLY	X	X
09	356246-900 TENSION MECHANISM SUPPORT PIN	X	X
10	356089 TENSION MECHANISM SUPPORT	X	X
11	356097 THREAD TAKE-UP SPRING	X	X
12	356091 THREAD TAKE-UP SPRING THREAD GUARD	X	X
13	356094 TENSION DISC	X	X
14	356216 TENSION DISC PRESSURE PLATE SPRING	X	X
15	356177 TENSION DISC PRESSURE PLATE	X	X
16	356092-451 TENSION INDICATOR WITH STUD	X	X
17	356090-457 TENSION INDICATOR DIAL	X	X
18	445784 THREAD GUIDE (LOWER)	X	X

From the library of: Diamond Needle Corp

TENSION MECHANISM



REV.: 01
DATE: DEC/04/97

From the library of: Diamond Needle Corp

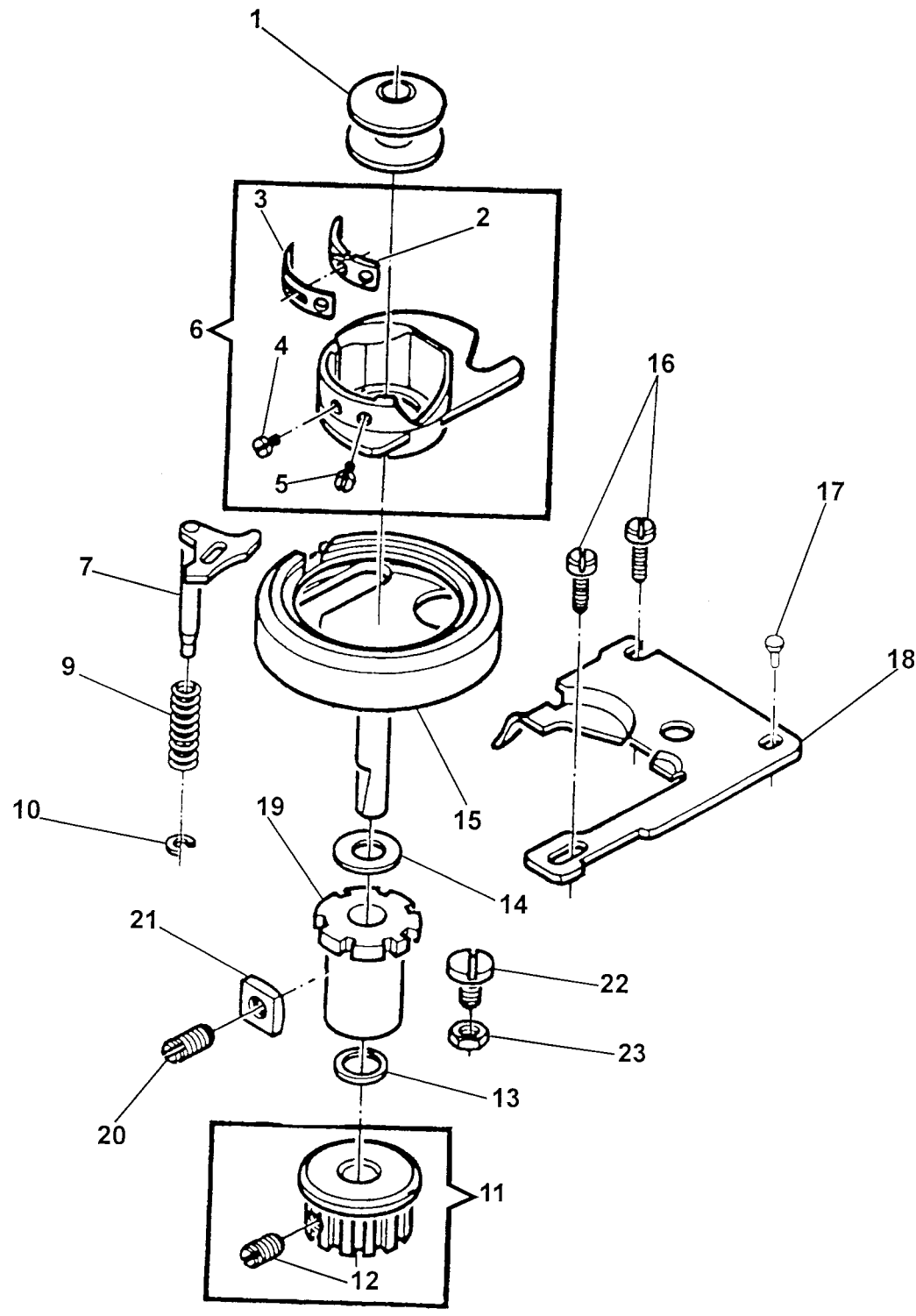
**PART LIST
HOOK SYSTEM**

REF. PART No.	DESCRIPTION	5 7 0 5	5 7 1 0
01	172336	BOBBIN (PLASTIC)	X X
02	356490-451	ROTATING HOOK BOBBIN CASE TENSION SPRING SEGMENT	X X
03	314715	ROTATING HOOK BOBBIN CASE TENSION SPRING	X X
04	355254-451	ROTATING HOOK BOBBIN CASE TENSION SPRING SET SCREW	X X
05	139975-452	ROTATING HOOK BOBBIN CASE TENSION SPRING SEGMENT SCREW	X X
06	421325	ROTATING HOOK BOBBIN CASE COMPLETE	X X
07	353511	ROTATING HOOK BELT BOBBIN CASE RETAINING PLATE ASSEMBLY	X X
09	44892	ROTATING HOOK BOBBIN CASE RETAINING PLATE STUD SPRING	X X
10	446417	ROTATING HOOK BOBBIN CASE RETAINING PLATE RING	X X
11	446235	ROTATING HOOK BELT DRIVE PULLEY COMPLETE	X X
12	141803-451	ROTATING HOOK BELT DRIVE PULLEY SET SCREW	X X
13	382861-906	THRUST WASHER	X X
14	353453	THRUST WASHER	X X
15	353366	ROTATING HOOK	X X
16	354917-451	ROTATING HOOK BOBBIN CASE POSITION PLATE SCREW	X X
17	357349-451	ROTATING HOOK BOBBIN CASE RETAINING PLATE (ADJUSTABLE & POSITION PLATE) STUD	X X
18	44873-001	ROTATING HOOK BOBBIN CASE POSITION PLATE	X X
19	353410-900	ROTATING HOOK FLANGED BUSHING (ECCENTRIC)	X X
20	141938-833	ROTATING HOOK FLANGED BUSHING SET SCREW	X X
21	353367-451	ROTATING HOOK FLANGED BUSHING SCREW NUT	X X
22	141844-451	ROTATING HOOK FLANGED BUSHING (ECCENTRIC) POSITIONING ADJUSTING SCREW	X X
23	618638-005	ROTATING HOOK FLANGED BUSHING (ECCENTRIC) POSITIONING ADJUSTING SCREW NUT (INSERT)	X X

<u>REF.</u>	<u>NEW P/N</u>	<u>IN PLACE OF</u>	<u>IMPLEMENTATION DATE</u>
04	355254-451	354183-452	08/15/97
23	618638-005	44502-900	08/25/97

From the library of: Diamond Needle Corp

ROTATING HOOK



REV.: 01
DATE: DEC/04/97

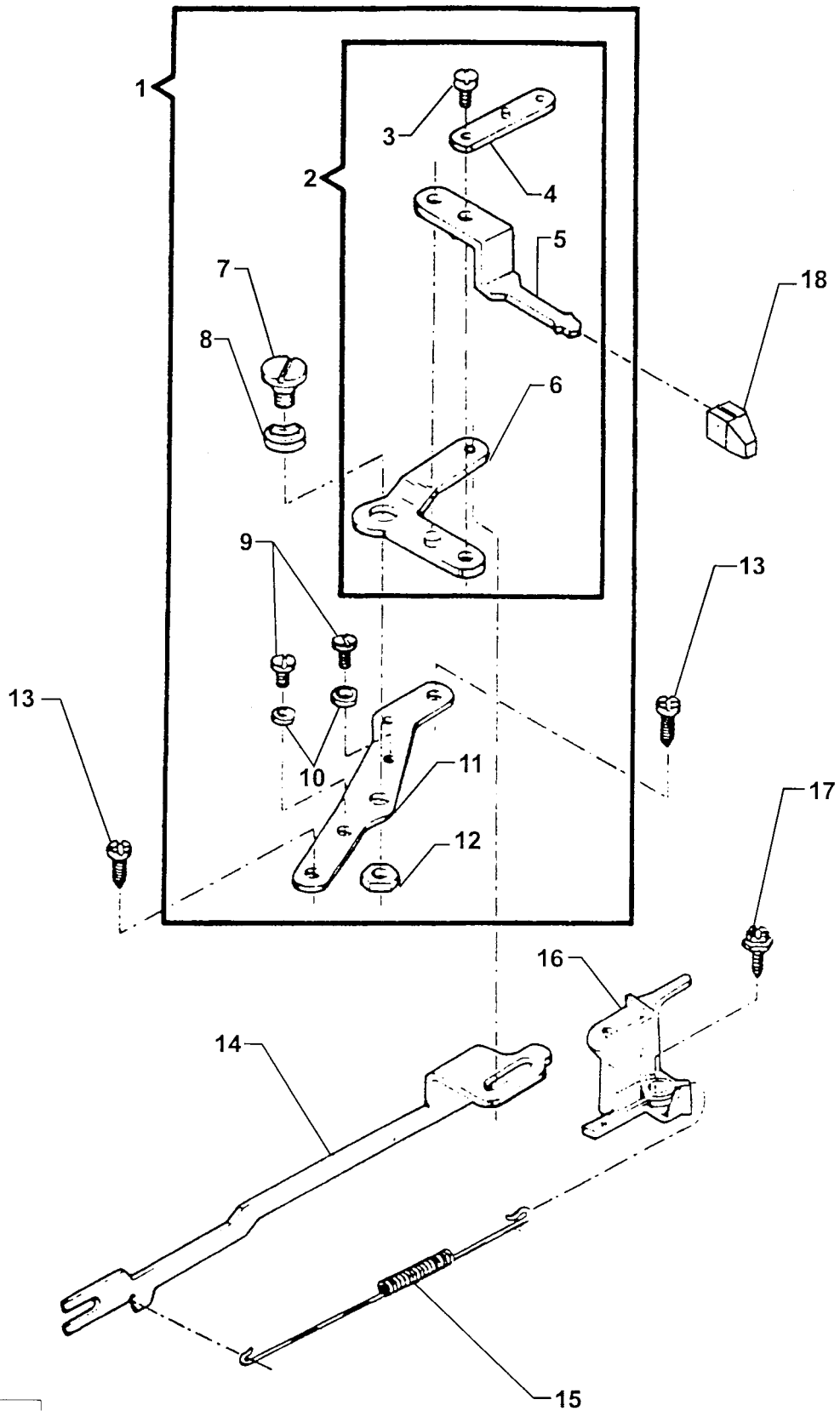
**PART LIST
BIGHT AMPLITUDE**

**5 5
7 7
0 1
5 0**

REF. PART No.	DESCRIPTION		
01 356113	BIGHT AMPLITUDE CONTROL LEVER MOUNTING BRACKET COMPLETE	X	X
02 356114	BIGHT AMPLITUDE CONTROL LEVER MOUNTING BRACKET COMPLETE	X	X
03 139866-451	BIGHT AMPLITUDE CONTROL LEVER SCREW	X	X
04 44556	BUTTONHOLER BIGHT CONTROL CAM FOLLOWER LEVER LINK (LEFT)	X	X
05 356061	BIGHT AMPLITUDE CONTROL LEVER	X	X
06 37246	BIGHT AMPLITUDE CONTROL LEVER LINK	X	X
07 354825-451	BIGHT AMPLITUDE CONTROL LEVER LINK HINGE SCREW	X	X
08 49204	BIGHT AMPLITUDE CONTROL LEVER LINK HINGE FRICTION WASHER	X	X
09 141913-451	BIGHT AMPLITUDE CONTROL LEVER LINK STOP SCREW	X	X
10 446904	BIGHT AMPLITUDE CONTROL LEVER LINK STOP	X	X
11 531793	BIGHT AMPLITUDE CONTROL LEVER MOUNTING BRACKET	X	X
12 54591-451	BIGHT AMPLITUDE CONTROL LEVER LINK SCREW NUT	X	X
13 113455-001	BIGHT AMPLITUDE CONTROL LEVER MOUNTING BRACKET SCREW (LEFT & RIGHT)	X	X
14 37933-002	NEEDLE BAR DRIVING ARM	X	X
15 37942	NEEDLE BAR DRIVING ARM TENSION SPRING	X	X
16 445780	LIGHT LEAD SHIELD & NEEDLE BAR DRIVING ARM TENSION SPRING MOUNTING PLATE	X	X
17 113455-001	LIGHT LEAD SHIELD & NEEDLE BAR DRIVING ARM TENSION SPRING MOUNTING PLATE SCREW	X	X
18 356204-453	BIGHT AMPLITUDE CONTROL LEVER KNOB	X	X

From the library of: Diamond Needle Corp

BIGHT AMPLITUDE



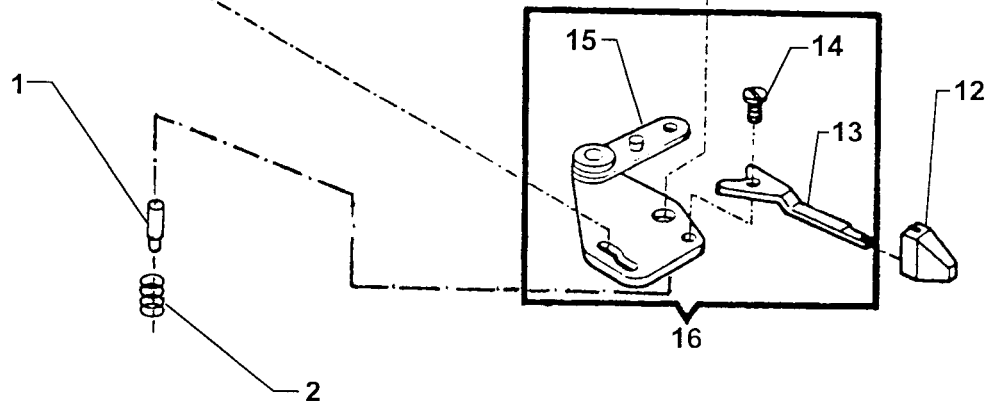
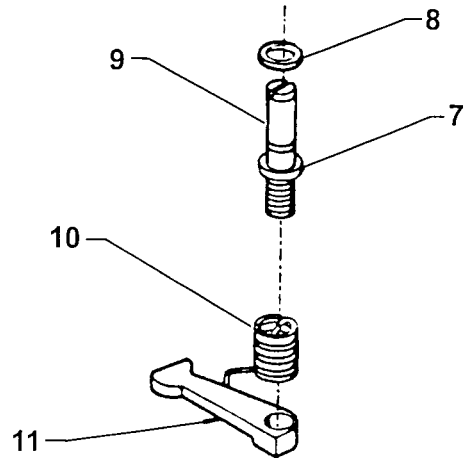
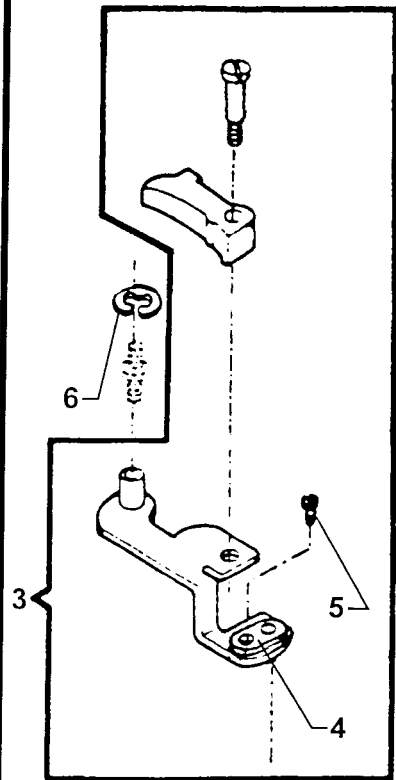
REV.: 01
DATE: DEC/04 /97

**PART LIST
NEEDLE POSITION**

REF. PART No.	DESCRIPTION	5 7 0 5	5 7 1 0
01 356228	NEEDLE POSITION SELECTOR LEVER BRACKET POSITIONING PIN	X	X
02 444800	NEEDLE POSITION SELECTOR LEVER BRACKET POSITIONING PIN SPRING	X	X
03 356636	NEEDLE BAR DRIVING ARM SLIDE BRACKET ASSEMBLY	X	X
04 531736	NEEDLE BAR DRIVING ARM SLIDE BRACKET WITH BUSHING	X	X
05 141913-451	NEEDLE POSITION LEVER BRACKET STUD SET SCREW	X	X
06 445721	NEEDLE BAR VIBRATING BRACKET HINGE PIN RETAINING RING	X	X
07 353585	DISC FOLLOWER STUD COLLAR	X	X
08 353548	DISC FOLLOWER STUD WASHER	X	X
09 353584	DISC FOLLOWER STUD	X	X
10 179897	DISC FOLLOWER SPRING	X	X
11 446404	DISC FOLLOWER (MACHINED)	X	X
12 356204-453	NEEDLE POSITION SELECTOR LEVER KNOB	X	X
13 356065	NEEDLE POSITION SELECTOR LEVER	X	X
14 141913-451	NEEDLE POSITION SELECTOR LEVER SCREW	X	X
15 44628	NEEDLE POSITION SELECTOR LEVER BRACKET ASSEMBLY	X	X
16 356062	NEEDLE POSITION SELECTOR LEVER BRACKET COMPLETE	X	X

From the library of: Diamond Needle Corp

NEEDLE POSITION



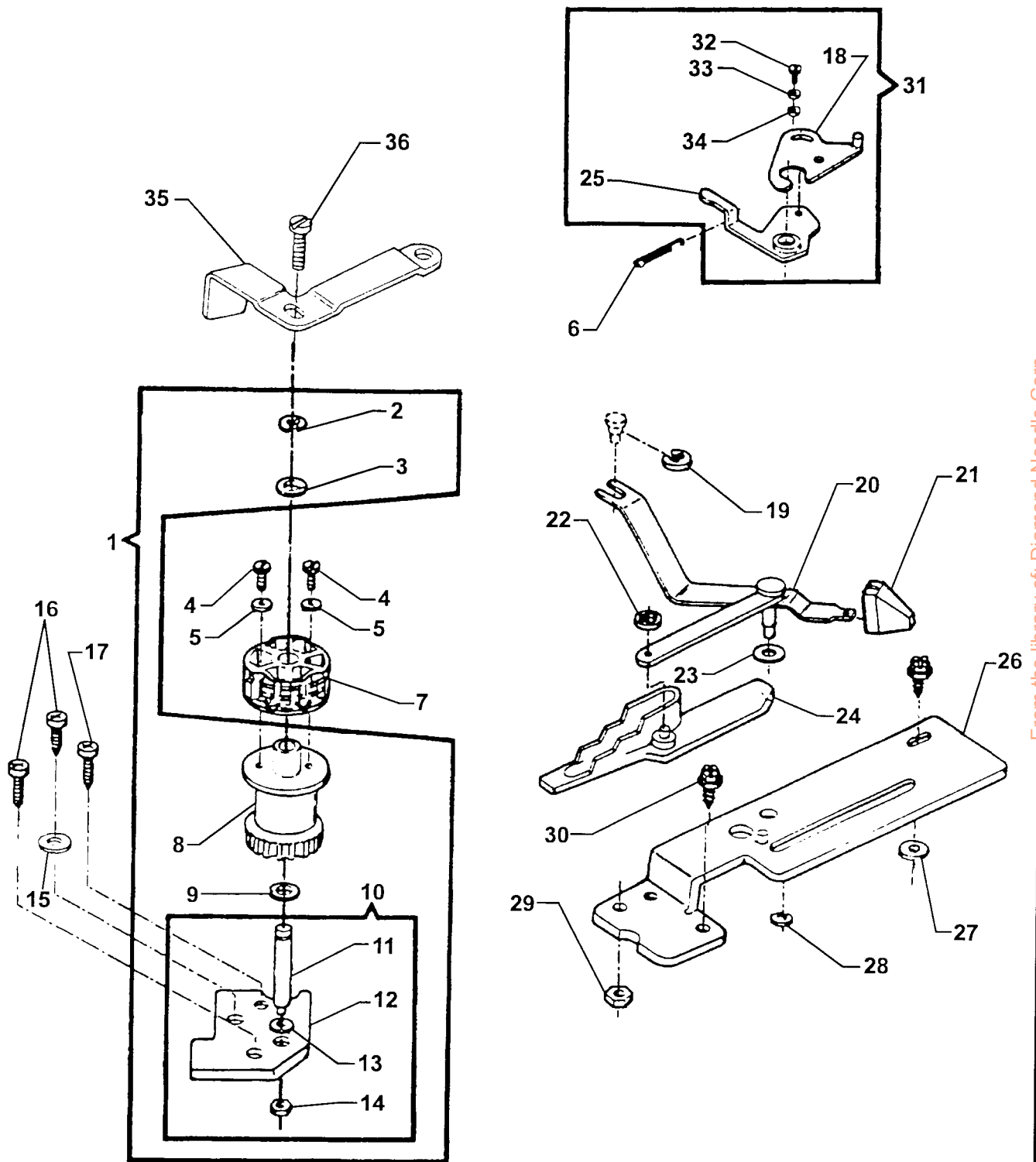
REV.: 01
DATE: DEC/04 /97

PART LIST
DISC SELECTOR ASSEMBLY & CAM STACK

REF. PART No.	DESCRIPTION	5	5
		7	7
		0	1
		5	0
01	353288-930	DISC DRIVING GEAR COMPLETE	X -
01	353288-931	DISC DRIVING GEAR COMPLETE	- X
02	444921	DISC DRIVING GEAR RETAINING RING	X X
03	444923-453	DISC DRIVING GEAR SHAFT FRICTION WASHER	X X
04	141920-451	DISC STACK POSITIONING SCREW	X X
05	446138	DISC STACK POSITIONING SCREW WASHER	X X
06	446415	DISC FOLLOWER DISENGAGING LEVER SPRING	X X
07	353287	DISC STACK	X X
08	445754	DISC DRIVING GEAR	X X
09	353424	DISC DRIVING GEAR SHAFT WASHER SPRING	X X
10	446420	DISC DRIVING GEAR SHAFT MOUNTING PLATE ASSEMBLY	X -
10	446420-001	DISC DRIVING GEAR SHAFT MOUNTING PLATE ASSEMBLY	- X
11	446418	DISC DRIVING GEAR SHAFT	X -
11	446418-001	DISC DRIVING GEAR SHAFT	- X
12	353575	DISC DRIVING GEAR SHAFT MOUNTING PLATE	X X
13	353488	DISC DRIVING GEAR SHAFT WASHER	X X
14	53648-451	DISC DRIVING GEAR SHAFT NUT	X X
15	353375-451	DISC DRIVING GEAR SHAFT MOUNTING PLATE SCREW WASHER	X X
16	113435-451	DISC DRIVING GEAR SHAFT MOUNTING PLATE SCREW	X X
17	113455-001	DISC DRIVING GEAR SHAFT MOUNTING PLATE SCREW	X X
18	446411	DISC FOLLOWER DISENGAGING LEVER PLATE ASSEMBLY	X X
19	445486	PATTERN SELECTOR LEVER RETAINING RING	X X
20	356069	PATTERN SELECTOR LEVER COMPLETE	X X
21	356204-453	PATTERN SELECTOR LEVER KNOB	X X
22	446417	PATTERN SELECTOR CAM SLIDE CONNECTING LINK RETAINING RING	X X
23	446138	PATTERN SELECTOR LEVER DRIVE STUD WASHER	X X
24	446406	PATTERN SELECTOR CAM SLIDE	X X
25	446412	DISC FOLLOWER DISENGAGING LEVER	X X
26	446405	PATTERN SELECTOR MOUNTING PLATE COMPLETE	X X
27	353488	PATTERN SELECTOR MOUNTING PLATE SPACER	X X
28	408030	PATTERN SELECTOR LEVER RETAINING RING	X X
29	54591-451	DISC FOLLOWER STUD NUT	X X
30	113455-001	PATTERN SELECTOR MOUNTING PLATE SCREW	X X
31	446410	DISC FOLLOWER DISENGAGING LEVER PLATE ASSEMBLY	X X
32	141913-451	DISC FOLLOWER DISENGAGING LEVER PLATE ADJUSTING SCREW	X X
33	445808	DISC FOLLOWER DISENGAGING LEVER PLATE ADJUSTING SCREW WASHER	X X
34	356830-001	DISC FOLLOWER DISENGAGING LEVER PLATE ADJUSTING SCREW WASHER	X X
35	353440-900	DISC DRIVING GEAR (COMPLETE) SUPPORT BRACKET	- X
36	354654-451	DISC DRIVING GEAR (COMPLETE) SUPPORT BRACKET MOUNTING SCREW	- X

From the library of: Diamond Needle Corp

DISC SELECTOR ASSEMBLY & CAM STACK



REV.: 01
 DATE: DEC/04/97

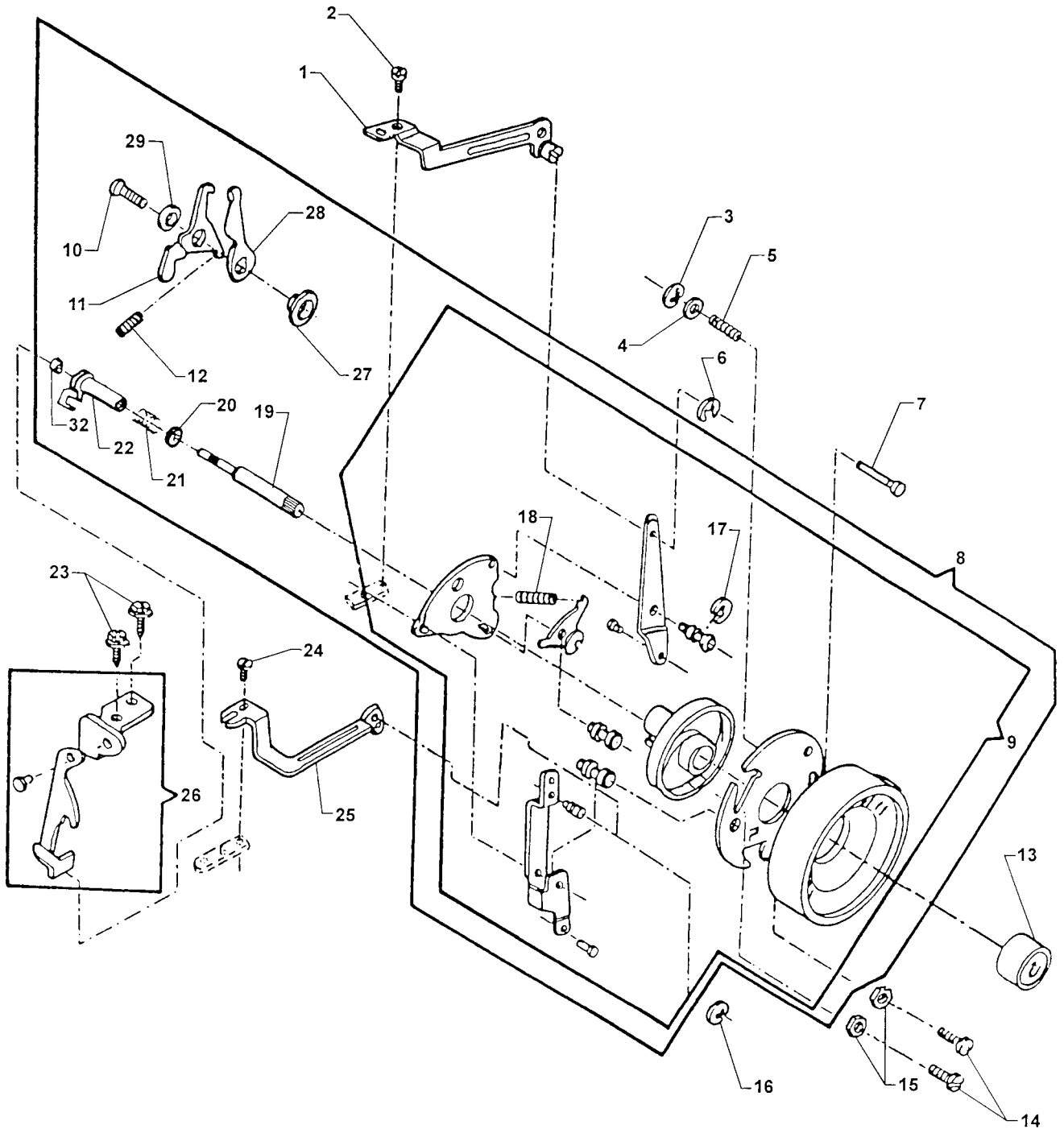
From the library of Diamond Needle Corp

PART LIST
BUTTONHOLER & FEED REGULATOR CAM

REF. PART No.	DESCRIPTION	5 7 0 5	5 7 1 0	
01	353536	BUTTONHOLER NEEDLE POSITION CAM FOLLOWER LEVER LINK (RIGHT) ASSEMBLY	X	X
02	141913-451	BUTTONHOLER NEEDLE POSITION CAM FOLLOWER LEVER LINK (LEFT & RIGHT) SCREW	X	X
03	408030	BUTTONHOLER & FEED REGULATOR MECHANISM MOUNTING PLATE STUD RETAINING RING	X	X
04	445808	BUTTONHOLER & FEED REGULATOR MECHANISM MOUNTING PLATE STUD SPRING WASHER	X	X
05	179949	BUTTONHOLER & FEED REGULATOR MECHANISM MOUNTING PLATE STUD SPRING	X	X
06	445486	BUTTONHOLER NEEDLE POSITION CAM FOLLOWER LEVER LINK (RIGHT) RETAINING RING	X	X
07	356230	BUTTONHOLER & FEED REGULATOR MECHANISM MOUNTING PLATE STUD	X	X
08	356797-460	BUTTONHOLER & FEED REGULATOR CAM COMPLETE	X	-
08	356792-465	BUTTONHOLER & FEED REGULATOR CAM COMPLETE	-	X
09	356798-460	BUTTONHOLER & FEED REGULATOR CAM ASSEMBLY	X	-
09	356793-465	BUTTONHOLER & FEED REGULATOR CAM ASSEMBLY	-	X
10	113372-451	CAM CONTROL FEED ENGAGING CAM FOLLOWER SCREW	-	X
11	353320	CAM CONTROL FEED ENGAGING CAM FOLLOWER	-	X
12	353495	BUTTONHOLER & FEED REGULATOR CONTROL DIAL PAWL SPRING	-	X
13	356653-456	FEED REGULATOR POSITIONING PIN KNOB (HOT STAMPED)	X	X
14	113513-451	BUTTONHOLER & FEED REGULATOR MECHANISM MOUNTING PLATE SCREW	X	X
15	53640-819	BUTTONHOLER & FEED REGULATOR MECHANISM MOUNTING PLATE SCREW NUT INSERT	X	X
16	445486	BUTTONHOLER BIGHT CONTROL CAM FOLLOWER LEVER LINK (RIGHT) RETAINING RING	X	X
17	353215	BUTTONHOLER NEEDLE POSITION CAM FOLLOWER LEVER RETAINING RING	X	X
18	353495	BUTTONHOLER & FEED REGULATOR CONTROL DIAL PAWL SPRING	X	X
19	356650	FEED REGULATOR POSITIONING PIN	X	X
20	356830-001	FEED REGULATOR POSITIONING PIN WASHER	X	X
21	44892	FEED REGULATOR POSITIONING PIN FRICTION SPRING	X	X
22	357094	FEED REGULATOR POSITIONING PIN CARRIER	X	X
23	113455-001	FEED REGULATOR CONTROL ARM MOUNTING BRACKET SCREW	X	X
24	141913-451	BUTTONHOLER BIGHT CONTROL CAM FOLLOWER LEVER LINK (LEFT & RIGHT) SCREW	X	X
25	356081	BUTTONHOLER BIGHT CONTROL CAM FOLLOWER LEVER LINK (RIGHT)	X	X
26	353304	FEED REGULATOR CONTROL ARM ASSEMBLY	X	X
27	353319	CAM CONTROL FEED ENGAGING CAM FOLLOWER & LEVER BUSHING	-	X
28	353321	CAM CONTROL FEED ENGAGING CAM FOLLOWER LEVER	-	X
29	445539	CAM CONTROL FEED ENGAGING CAM FOLLOWER & LEVER WASHER	-	X
32	618638-005	FEED REGULATOR POSITIONING PIN CARRIER INSERT NUT	X	X

From the library of: Diamond Needle Corp

BUTTONHOLER & FEED REGULATOR CAM



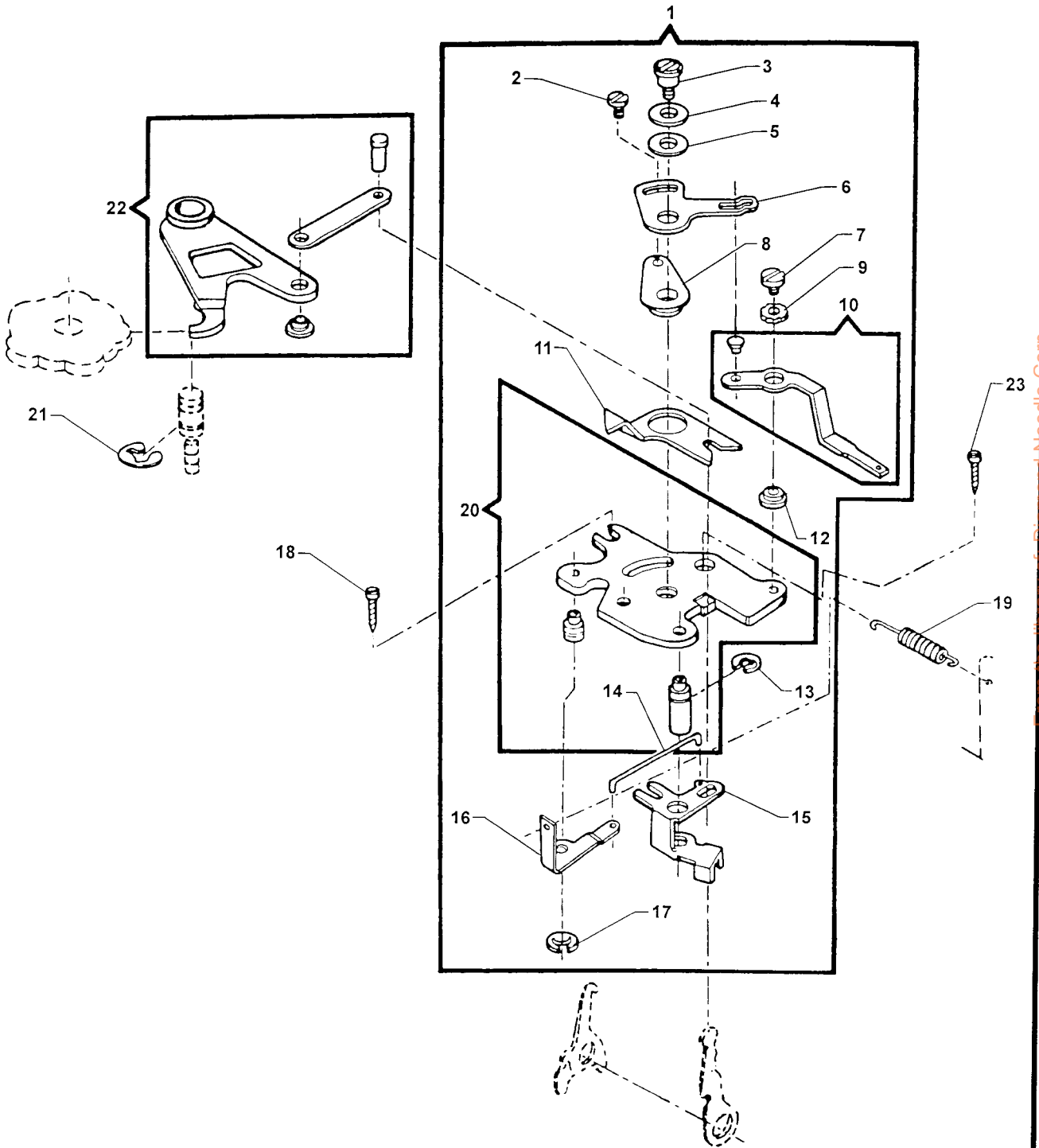
REV.: 01
DATE: DEC/04/97

**PART LIST
CAM CONTROLLED FEED**

REF. PART No.	DESCRIPTION	5 7 0 5	5 7 1 0
01	356074	CAM CONTROLLED FEED MOUNTING BRACKET COMPLETE	- X
02	141913-451	CAM CONTROLLED FEED BALANCE ADJUSTRING SCREW	- X
03	113423-451	CAM CONTROLLED FEED BALANCE ADJUSTING PLATE HINGE SCREW	- X
04	543531	CAM CONTROLLED FEED BALANCE ADJUSTING SCREW WASHER	- X
05	353492	CAM CONTROLLED FEED BALANCE ADJUSTING SCREW SPRING WASHER	- X
06	531754	CAM CONTROLLED FEED BALANCE ADJUSTING PLATE STUD SPRING	- X
07	113424-451	CAM CONTROLLED FEED BALANCE ADJUSTING LEVER HINGE SCREW	- X
08	353331	CAM CONTROLLED FEED DRIVING ARM ECCENTRIC	- X
09	179898-001	CAM CONTROLLED FEED BALANCE ADJUSTING LEVER WASHER	- X
10	356076-452	CAM CONTROLLED FEED BALANCE ADJUSTING LEVER ASSEMBLY	- X
11	353330-001	CAM CONTROLLED FEED DRIVING ARM	- X
12	353334	CAM CONTROLLED FEED BALANCE ADJUSTING LEVER MOUNTING BUSHING	- X
13	445721	CAM CONTROLLED FEED ENGAGING CRANK RETAINING RING	- X
14	353473	CAM CONTROLLED FEED ENGAGING CRANK LINK	- X
15	353329	CAM CONTROLLED FEED ENGAGING CRANK	- X
16	356166	CAM CONTROLLED FEED ENGAGING CRANK LEVER	- X
17	445486	CAM CONTROLLED FEED FOLLOWER & LINK RETAINING RING	- X
18	355243-451	CAM CONTROLLED FEED MOUNTING BRACKET SCREW	- X
19	356605	FEED REGULATOR CONTROL ARM BIAS LINK SPRING	- X
20	531750	CAM CONTROLLED FEED MOUNTING BRACKET ASSEMBLY	- X
21	445486	CAM CONTROLLED FEED FOLLOWER & LINK ASSEMBLY RETAINING RING	- X
22	353335	CAM CONTROLLED FEED FOLLOWER & LINK ASSEMBLY	- X
23	113455-003	CAM CONTROLLED FEED MOUNTING BRACKET SCREW (RIGHT)	- X

From the library of: Diamond Needle Corp

CAM CONTROLLED FEED



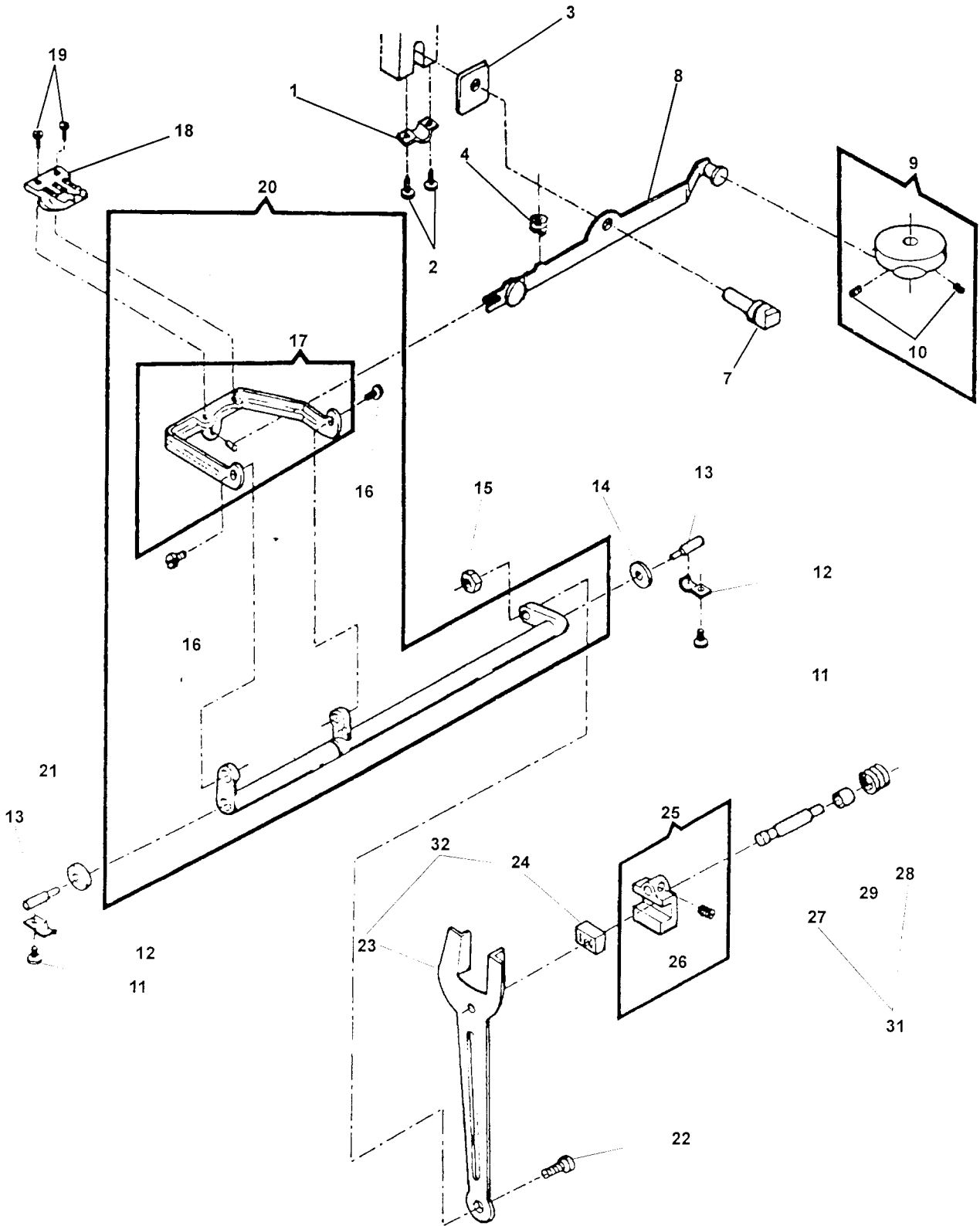
REV.: 01
DATE: DEC/04/97

**PART LIST
FEED SYSTEM**

REF.	PART NBR	DESCRIPTION	5 7 0 5	5 7 1 0
01	446485	FEED LIFTING LEVER HINGE STUD (ECCENTRIC) CLAMP		
02	113455-001	FEED LIFTING LEVER HINGE STUD (ECCENTRIC) CLAMP SCREW	X	X
03	179955	FEED LIFTING LEVER HINGE STUD (ECCENTRIC) SPACER	X	X
04	446249	FEED LIFTING LEVER SPRING	X	X
07	357122	FEED LIFTING LEVER HINGE STUD (ECCENTRIC)	X	X
08	356222-001	FEED LIFTING LEVER ASSEMBLY	X	X
09	446228	FEED LIFTING CAM	X	X
10	544118	FEED LIFTING CAM SCREW	X	X
11	113455-001	FEED ROCK SHAFT CENTER SUPPORTING BRACKET SCREW	X	X
12	446484	FEED ROCK SHAFT CENTER CLAMP (LEFT & RIGHT)	X	X
13	446487-001	FEED ROCK SHAFT CENTER	X	X
14	353397	FEED ROCK SHAFT CENTER (RIGHT) NOISE DAMPENING WASHER	X	X
15	53648-451	FEED FORKED CONNECTING SCREW STUD NUT	X	X
16	354939-451	FEED BAR HINGE SCREW	X	X
17	446205	FEED BAR ASSEMBLY	X	X
18	179891	FEED DOG	X	X
19	355235-451	FEED DOG SCREW	X	X
20	446216	FEED ROCK SHAFT COMPLETE	X	X
21	353397	FEED ROCK SHAFT CENTER (LEFT) NOISE DAMPENING WASHER	X	X
22	531623-451	FEED FORKED CONNECTING HINGE SCREW (ECCENTRIC)	X	X
23	531926	FEED FORKED CONNECTING	X	X
24	44437	FEED FORKED CONNECTING SLIDE BLOCK	X	X
25	446244	FEED REGULATOR ASSEMBLY	X	X
26	141925-833	FEED REGULATOR SET SCREW	X	X
27	446483	FEED REGULATOR HINGE STUD	X	X
28	179890	FEED REGULATOR RETURN SPRING	X	X
29	445768	FEED REGULATOR RETURN SPRING BUSHING (PLASTIC)	X	X
31	353600	FEED REGULATOR HINGE STUD ASSEMBLY	X	X
32	531927	FEED FORKED CONNECTION ASSEMBLY WITH BLOCK	X	X

From the library of: Diamond Needle Corp

FEED SYSTEM



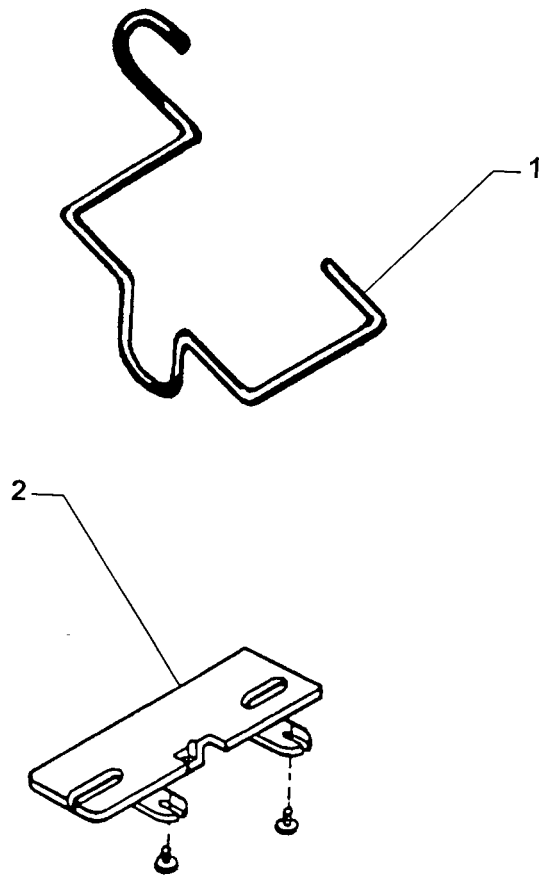
REV.: 01
DATE: DEC/04 /97

PART LIST
OPTIONS

REF. PART No.	DESCRIPTION	5 7 0 5	5 7 1 0
01 116863	FINGER GUARD	X	X
02 446263-455	BED EXTENSION PLATE	X	X

From the library of: Diamond Needle Corp

OPTIONS



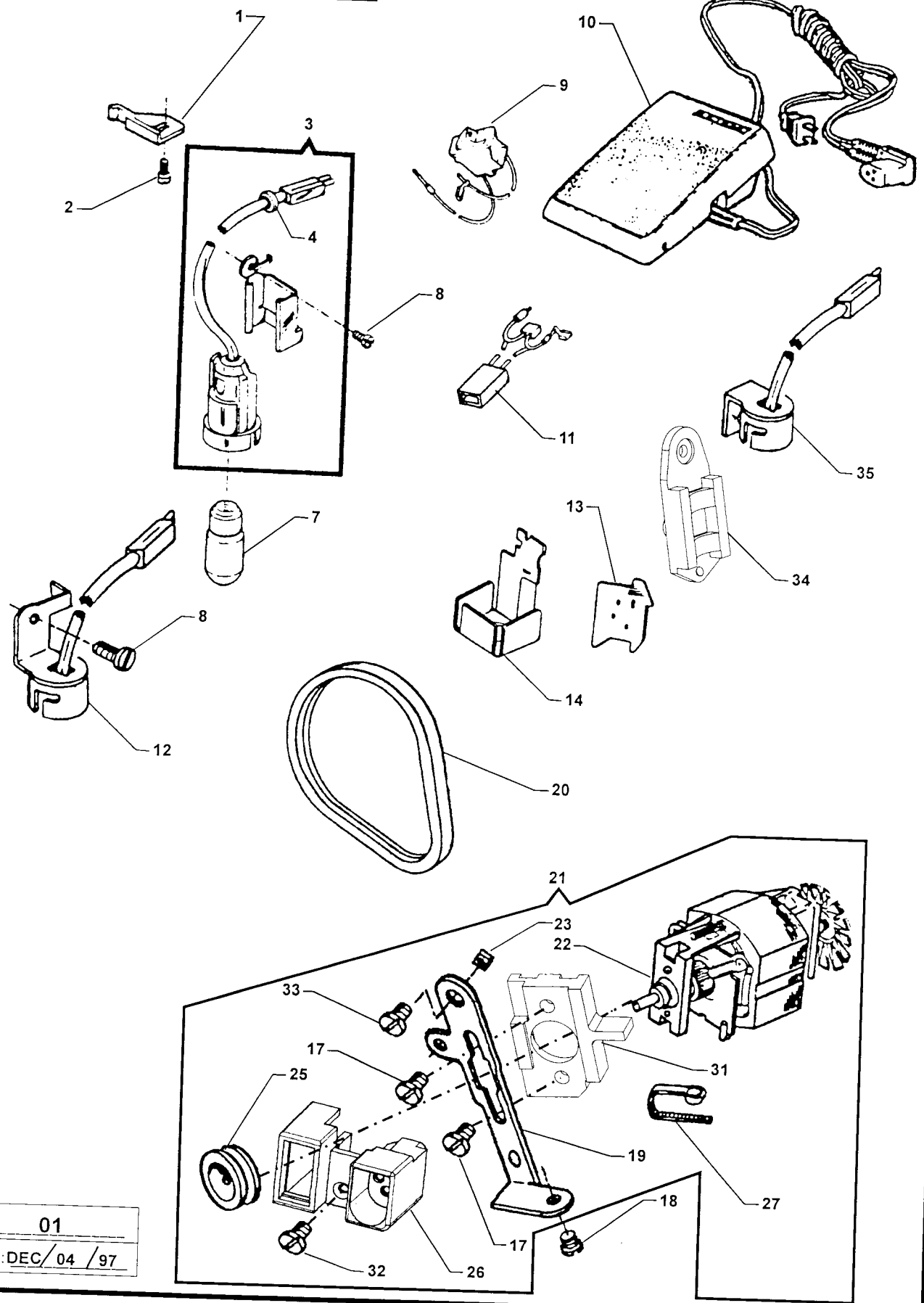
REV.: 01
DATE: DEC / 04 / 97

**PART LIST
ELECTRICAL EQUIPMENT**

REF. PART NBR	DESCRIPTION	5 7 0 5	5 7 1 0
01 353411	LIGHT LEAD RETAINING CLIP		
02 113455-001	LIGHT LEAD WIRE RETAINER MOUNTNG SCREW	X	X
03 605488-025	LIGHT LEAD COMPLETE CAT L9 (IEC CONSTRUCTION)	X	X
04 179908	LIGHT LEAD GROMMET	X	X
07 988076-001	LAMP (120V)	X	X
07 988076-003	LAMP (220/250V)	X	X
08 354592-451	LIGHT SOCKET MOUNTING SCREW	X	X
09 362250-903	SWITCH COMPLETE (UL/CSA)	X	X
09 362307-001	SWITCH COMPLETE (NON REG.)	X	X
09 988763-004	SWITCH COMPLETE (IEC CONSTRUCIONS)	X	X
10 362095-001	CR 606 FOOT CONTROLLER (UL/CSA)	X	X
10 362095-002	CR 606 FOOT CONTROLLER (IEC - EUROPE)	X	X
10 362095-005	CR 606 FOOT CONTROLLER (120V - NON REG. - ROUND PIN)	X	X
10 362095-006	CR 606 FOOT CONTROLLER (220V - NON REG. - ROUND PIN)	X	X
10 362095-007	CR 606 FOOT CONTROLLER (120V - NON REG. FLAT BLADE)	X	X
10 362095-008	CR 606 FOOT CONTROLLER (220V - NON REG. FLAT BLADE)	X	X
10 362095-010	CR 606 FOOT CONTROLLER (240V - AUSTRALIA)	X	X
10 362095-014	CR 606 FOOT CONTROLLER (220V - ARGENTINA)	X	X
10 362095-015	CR 606 FOOT CONTROLLER (UK)	X	X
10 362095-016	CR 606 FOOT CONTROLLER (GERMANY)	X	X
10 362095-022	CR 606 FOOT CONTROLLER (RUSSIA)	X	X
10 362095-023	CR 606 FOOT CONTROLLER (HONG-KONG)	X	X
11 988764-003	LIGHT CONNECTOR HARNESS (UL/CSA)	X	X
11 988764-005	LIGHT CONNECTOR HARNESS (NON REG.)	X	X
11 988768-003	LIGHT CONNECTOR HARNESS (IEC)	X	X
12 362001-007	L15 - LIGHT COMPLETE (NON REG.)	X	X
12 362160-002	L15 - LIGHT COMPLETE (UL/CSA)	X	X
13 179901	HEAT SHIELD (WITHOUT GRAPHICS)	X	X
13 179910-451	LIGHT SHIELD (WITH GRAPHICS) (FOR US/CANADA)	X	X
14 605087-001	HEAT SHIELD (FOR EUROPE)	X	X
17 354637-454	MOTOR MOUNTING PLATE CLAMP SCREW	X	X
18 113370-451	MOTOR MOUNTING PLATE SCREW (LOWER)	X	X
19 356803-901	MOTOR MOUNTING PLATE	X	X
20 196388-003	MOTOR BELT (V)	X	X
21 362180-012	GAC15 - MOTOR COMPLETE (UL/CSA)	X	X
21 362180-013	GAC15 - MOTOR COMPLETE (120V - NON REG.)	X	X
21 362180-014	GAC15 - MOTOR COMPLETE (220V - NON REG.)	X	X
21 362180-015	GAC15 - MOTOR COMPLETE (220/240V - RUSSIA)	X	X
21 362190-016	GAC15 - MOTOR COMPLETE (220/240V - IEC/EUROPE)	X	X
21 362190-019	GAC15 - MOTOR COMPLETE (220/240V - NON REG.)	X	X
22 362207-005	SERIES MOTOR MODULE (120V - NON REG.)	X	X
22 362207-006	SERIES MOTOR MODULE (220V - NON REG.)	X	X
22 988752-010	SERIES MOTOR MODULE (120V - UL/CSA)	X	X
22 998752-011	SERIES MOTOR MODULE (220/240V - IEC/SAA)	X	X
22 988752-013	SERIES MOTOR MODULE (220/240V - NON REG.)	X	X
23 313470-452	MOTOR MOUNTING PLATE SCREW NUT	X	X
25 988761-001	MOTOR PULLEY	X	X
26 362239-012	COMMUTATOR END (120V - UL/CSA)	X	X
26 362239-013	COMMUTATOR END (120V - NON REG.)	X	X
26 362239-014	COMMUTATOR END (220V - NON REG.)	X	X
26 362239-015	COMMUTATOR END (220/240V - RUSSIA)	X	X
26 362239-016	COMMUTATOR END (220/240V - IEC/SAA)	X	X
22 362239-019	COMMUTATOR END (220/240V - NON REG.)	X	X
27 605600-004	TYE RAP	X	X
31 362237-901	MOTOR MOUNTING PLATE SPACER	X	X
32 531110-451	MOTOR MOUNTING PLATE SPACER SCREW	X	X
33 113372-451	MOTOR MOUNTING PLATE SCREW (UPPER)	X	X
34 314340-900	LIGHT SOCKET PLATE (INSULATOR) FOR SCHOOL MACHINE)	X	X
35 362057-001	LIGHT COMPLETE (SCHOOL MACHINE)	X	X
5705 / 5710 MODELS PARTS LIST		X	X
P/N 357370-004			

From the library of: Diamond Needle Corp

ELECTRICAL EQUIPMENT



REV.: 01
 DATE: DEC/04/97

From the library of: Diamond Needle Corp